

## Specifications

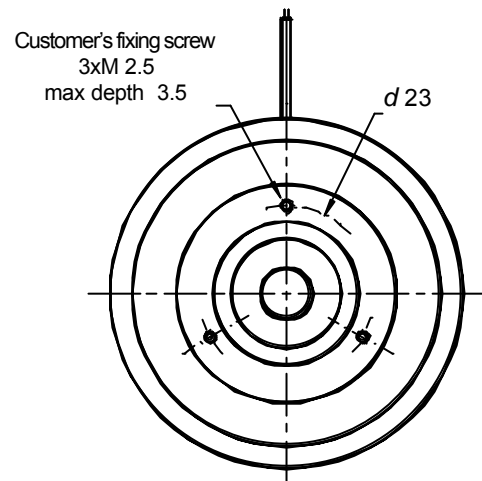
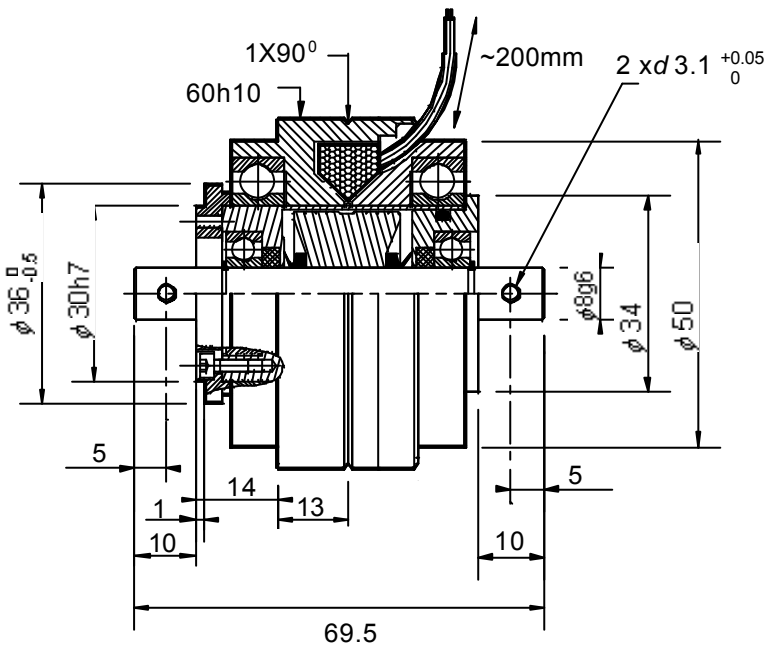
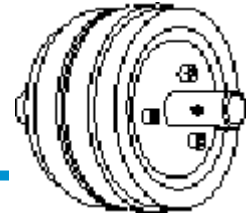
Nominal torque	(Nm)	1,7
Minimal torque	(Nm)	0,03
Coil resistance - 20°C	(ohms)	37
Rated current DC	(A)	0,57
Rotor inertia	(kg.m <sup>2</sup> )	7,8.10 <sup>-6</sup>
Weight	(kg)	0,70
Heat dissipation continuous sustained	(W)*	30

\* Heat dissipation is the mechanical power ( $P = cw$ ) maximum allowable.

# Clutch

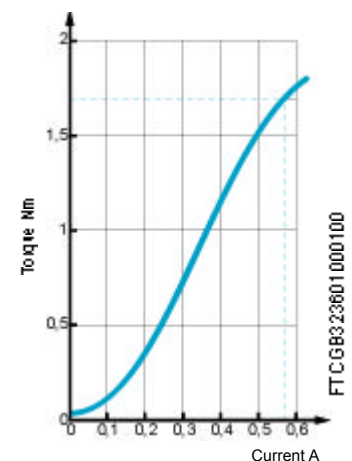
EFAS 17

ref: 323.601.00



## Utilization

- Mounting must be made without any stress. Lubricated for life (other internal lubrication not allowed).
- Low DC current power supply for coil. (See MEROBEL Electronic data sheets )
- The standard device is designed for horizontal shaft orientation, and a minimal speed of 60 RPM. Maximum speed is 3000 RPM (without exceeding the max. heat dissipation capability).
- For Engineering application, please contact our technical support.
- In normal use, the outside temperature of the device can increase up to 100°C, without damage.



## Safety

- If the device is to be used in dusty, humid or corrosive environment, special protection needs to be considered.

## Maintenance

- Two procedures are available:
  - Full inhouse maintenance servicing:
    - Please call : +33 / 2 38 94 42 44**
  - Spare parts or repair kits (depending on maintenance level):
    - Assembled drum ref: 806.540.03
    - Assembling inductor ref: 806.030.03
    - External ball bearings (x2) ref: 806.042.01
    - Pulley washer play ref: 807.097.01
  - In any case, our After Sales service is at your disposal.

## Recommended mounting principles

