

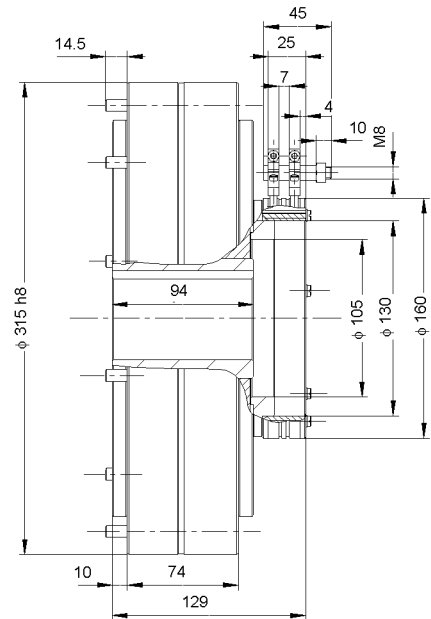
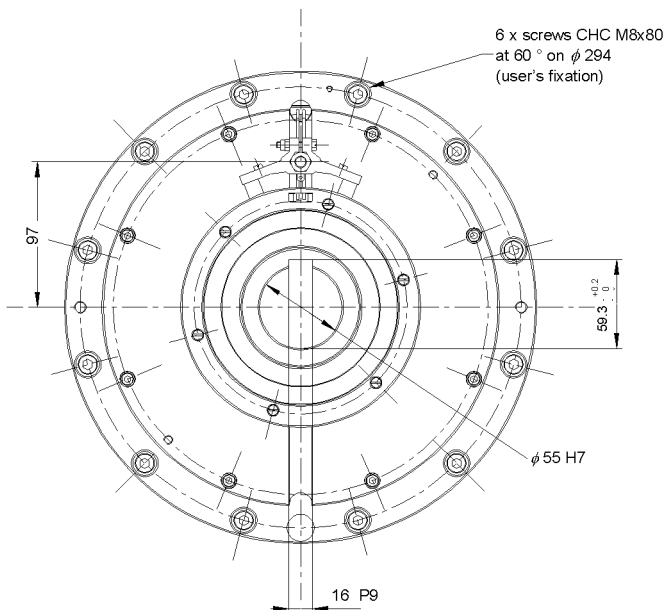
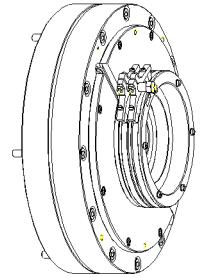
Clutch EAT 3500

ref : ME126445-00

Specifications

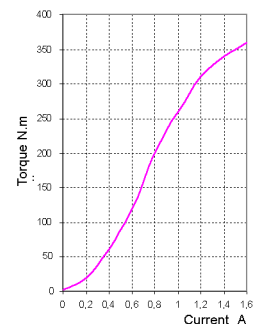
Nominal torque	(Nm)	350		
Minimal torque	(Nm)	3,5		
Coil resistance - 20°C	(Ohms)	19		
Rated current DC	(A)	1,2		
Rotor inertia	(kg.m ²)	89.10 ⁻³		
Weight	(kg)	55		
Heat dissipation continuous sustained depending on external part rotation speed	(W)*	500	1000	1500
	(RPM)	0	1000	1500

* Heat dissipation is the mechanical power ($P = c\omega$) maximum allowable.



Utilization

- Mounting must be made without any stress.
Lubricated for life (other internal lubrication not allowed).
The shaft should be lubricated upon assembly, to prevent seizing.
- Low DC current power supply for coil.
(See MEROBEL Electronic data sheets)
- The standard device is designed for horizontal shaft orientation, and a minimal speed of 60 RPM. Maximum speed is 2000 RPM (without exceeding the max. heat dissipation capability).
- For Engineering application, please contact our technical support.
- In normal use, the outside temperature of the device can increase up to 100°C, without damage.



Safety

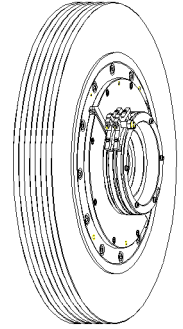
- If the device is to be used in dusty, humid or corrosive environment, special protection needs to be considered.
- To protect the device from overheating, a thermal sensor can be added.

Maintenance

- Full inhouse maintenance servicing:
Please call your local distributor

Clutch ERAT 3500

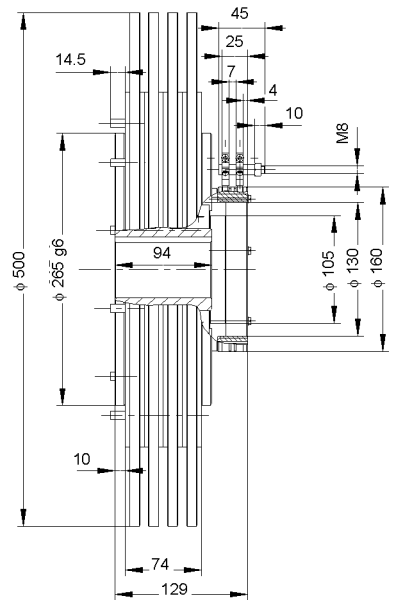
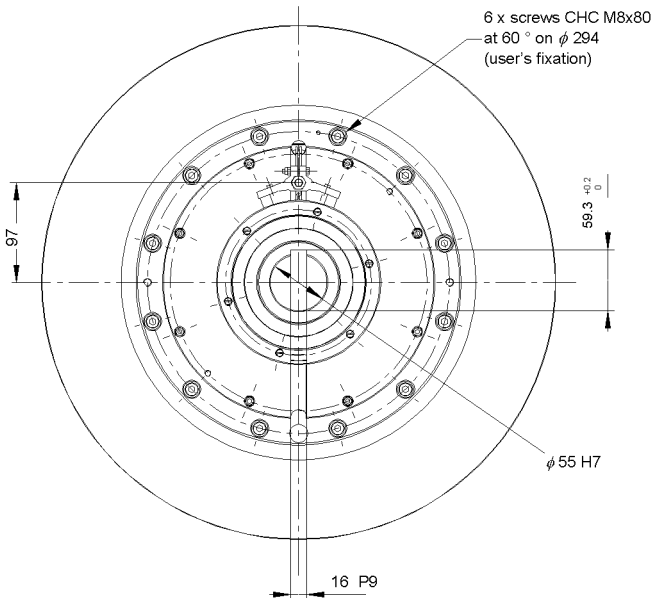
ref : ME126454-00



Specifications

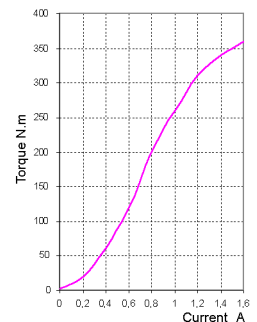
Nominal torque	(Nm)	350		
Minimal torque	(Nm)	3,5		
Coil resistance - 20°C	(Ohms)	19		
Rated current DC	(A)	1,2		
Rotor inertia	(kg.m ²)	89.10 ⁻³		
Weight	(kg)	55		
Heat dissipation continuous sustained depending on external part rotation speed	(W)*	900	2400	3000
	(RPM)	0	1000	1500

* Heat dissipation is the mechanical power ($P = c\omega$) maximum allowable.



Utilization

- Mounting must be made without any stress.
Lubricated for life (other internal lubrication not allowed).
The shaft should be lubricated upon assembly, to prevent seizing.
- Low DC current power supply for coil.
(See MEROBEL Electronic data sheets)
- The standard device is designed for horizontal shaft orientation,
and a minimal speed of 60 RPM. Maximum speed is 1500 RPM
(without exceeding the max. heat dissipation capability).
- For Engineering application, please contact our technical support.
- In normal use, the outside temperature of the device can increase up to 100°C,
without damage.



Safety

- If the device is to be used in dusty, humid or corrosive environment, special protection needs to be considered.
- To protect the device from overheating, a thermal sensor can be added.

Maintenance

- Full inhouse maintenance servicing:
Please call your local distributor