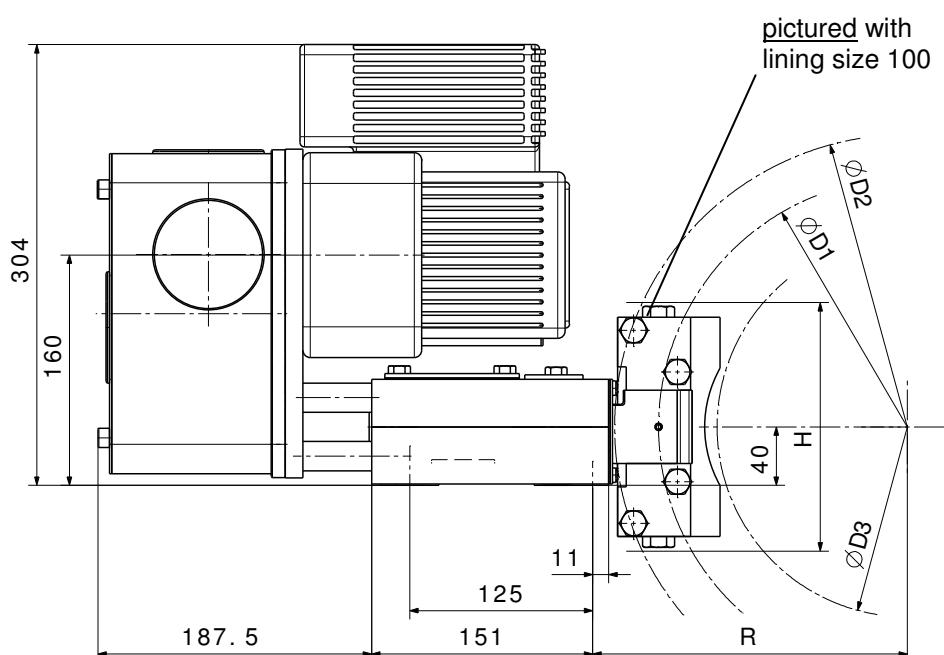
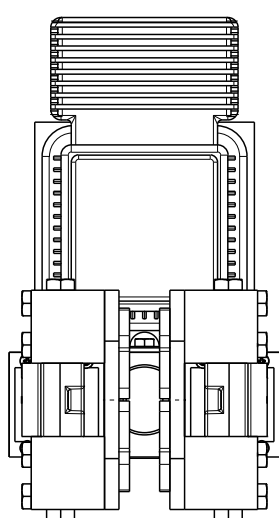
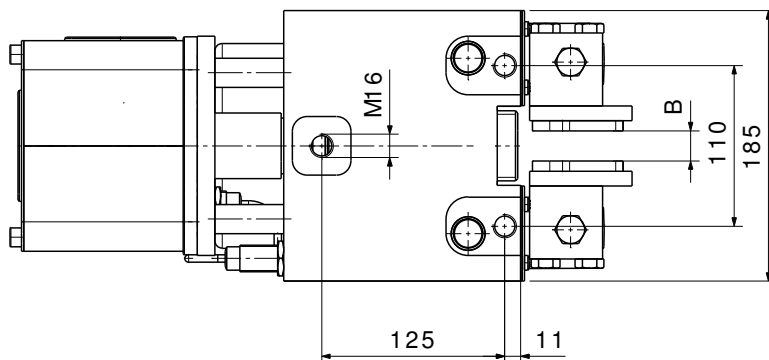
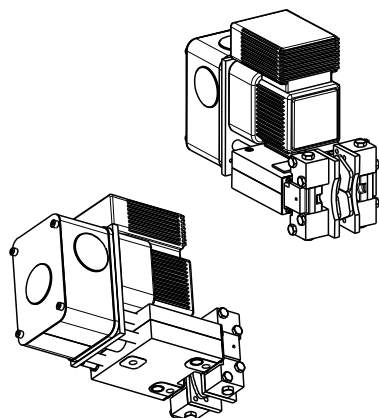


Compact calliper Brake  
fail-safe, thrustor released  
**CB8-E**

**M 1501 320 E-EN**  
page 1 / 1  
06.2008



**Options:** manual release, switch „open“ & „wear“

B = disc thickness in mm, standard = 20 mm, opional: 12,7; 16; 25; 30

Ø D2 = outer disc diameter in mm

linings: = organic, size 50 (suitable for circum. Disc speed  $v_{max} = 35m/sec$ )

= standard = Sinter, size 100 (available for disc diameter  $D2 \geq \text{Ø}250$ )

CB8-E	dimensions depending on selected lining size						
	ØD1	ØD3	R	H			
Belag 50	ØD2 - 46	ØD2 - 110	D2/2 + 19.5	120			
Belag 100	ØD2 - 60	ØD2 - 140	D2/2 + 15	170			
<b>Braking torque in Nm (<math>\mu=0,4</math>) on disc-Ø D2, adjustable from / to</b>							
	Ø 200	Ø 250	Ø 315	Ø 400	Ø 500	Ø 630	Ø 710
CB8-E	60-630	80-850	100-1140	140-1510	180-1950	230-2530	260-2880

Alterations reserved

Siegerland Bremsen – Emde GmbH & Co. KG – Auf der Stücke 1-5 – D-35708 Haiger, Germany  
Tel.: +49 2773 94000 – Fax: +49 2773 9400-10 – e-mail: [info@sibre.de](mailto:info@sibre.de) – [www.sibre.de](http://www.sibre.de)