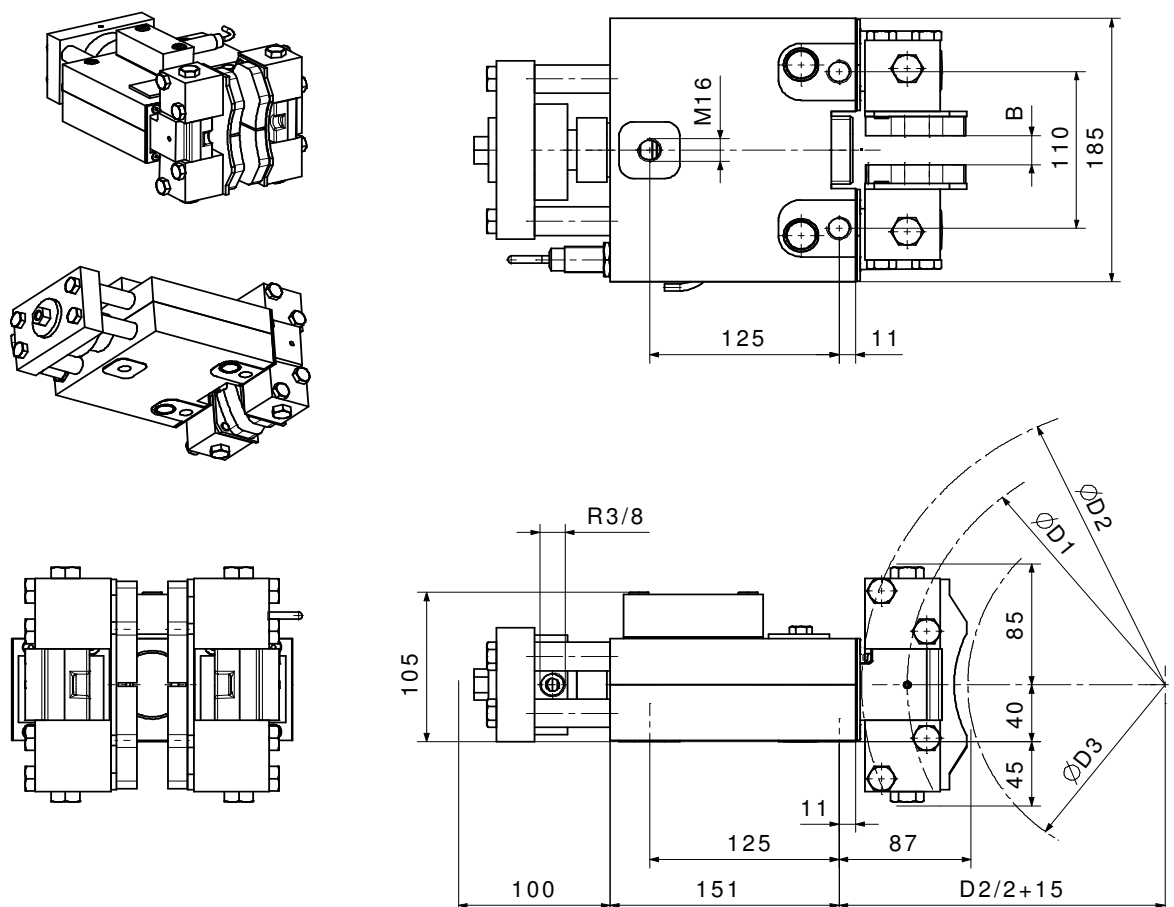


Compact Caliper Brake
fail-safe, hydraulic released
CB8-H

M 1501 331 E-EN
page 1 / 1
06.2008



optional manual release, switches „open“ and „pad wear limit“

B = disc thickness in mm, standard = 20 mm, optional: 12,7; 16; 25; 30

Ø D1 = average friction diameter in mm = ØD2 – 60 mm

Ø D2 = outer disc diameter in mm

Ø D3 = max. hub- or coupling diameter in mm, = ØD2 – 140 mm

linings standard: size 100, Sinter
optional: size 50, organic, size 200, Sinter

braking torque in Nm ($\mu=0,4$) on disc-Ø D2, adjustable from – to							
	Ø 200	Ø 250	Ø 315	Ø 400	Ø 500	Ø 630	Ø 710
CB8-H1-100	50-860	50-1160	50-1550	50-2060	50-2650	50-3450	50-3900

Alterations reserved

Siegerland Bremsen – Emde GmbH & Co. KG – Auf der Stücke 1-5 – D-35708 Haiger, Germany

Tel.: +49 2773 94000 – Fax: +49 2773 9400-10 – e-mail: info@sibre.de – www.sibre.de