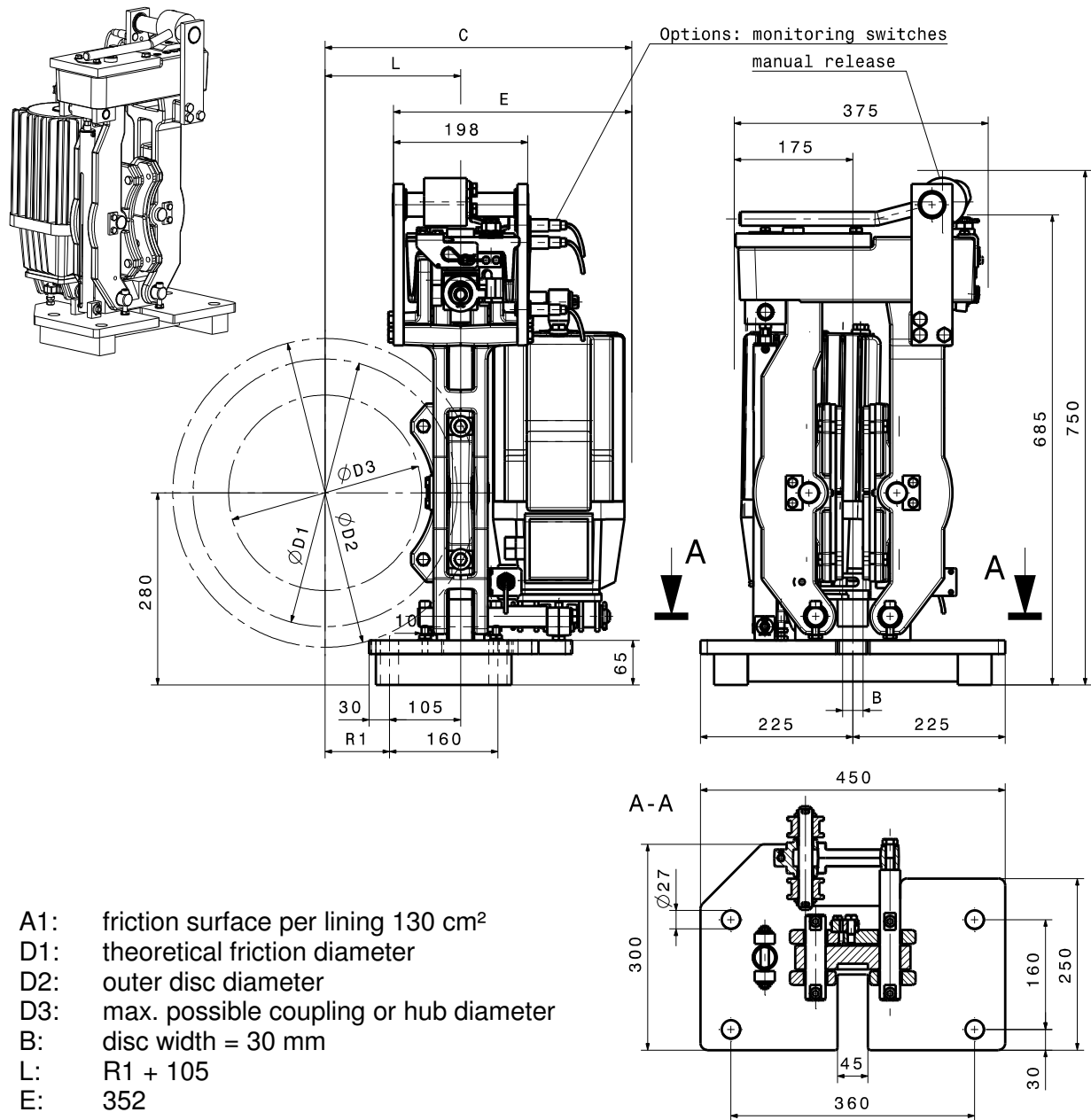


M 1501 326 E-DE/EN  
page 1 / 2  
02.07

# Disc Brake USB-C 32



- A1: friction surface per lining 130 cm<sup>2</sup>  
 D1: theoretical friction diameter  
 D2: outer disc diameter  
 D3: max. possible coupling or hub diameter  
 B: disc width = 30 mm  
 L: R1 + 105  
 E: 352

thruster-type  
 Ed 80/6 = Eldro  
 EB 800-60 = Elhy

weight without thruster: ~90 kg					Braking torque M in Nm with $\mu = 0,35$	
D2	D1	D3	R1	C	M <sub>min</sub>	M <sub>max</sub>
450	390	285	95	453	1400	2800
500	437	335	120	478	1600	3200
560	495	390	150	508	1800	3650
630	565	455	185	543	2100	4200
710	653	530	225	583	2500	4850
800	735	580	270	628	2750	5500

all dimensions indicated for standard version without options.  
 Other disc diameters upon request. Alterations reserved!

Siegerland Bremsen  
 Emde GmbH & Co. KG  
 Auf der Stücker 1-5  
 D-35708 HAIGER, GERMANY

Fon: +49 (0)2773-94000  
 Fax: +49 (0)2773-940010  
 e-mail: [info@sibre.de](mailto:info@sibre.de)  
 home: [www.sibre.de](http://www.sibre.de)